

 **ANCHOR**

by **Panasonic**

**ziva**  
Meets Every Standard

**MEETS EVERY  
STANDARD**

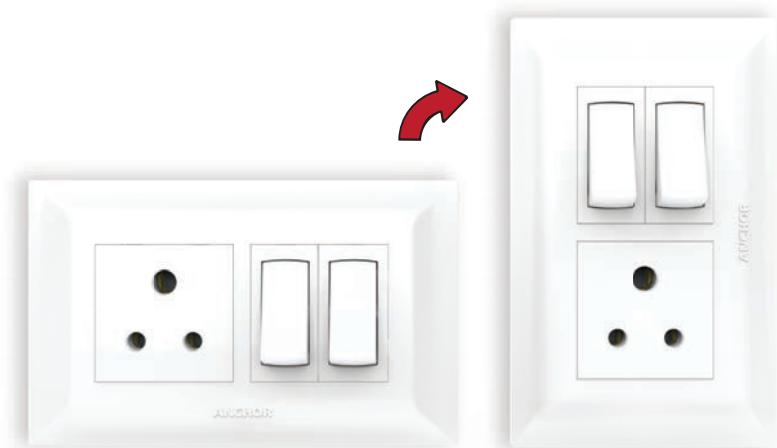


**PRICELIST: AUG 2020**



## ▶ Vertical & Horizontal Installation

- Can be mounted vertically or horizontally
- Vertically mounted plates can fit in any space constraints
- Looks trendy & young



**Two Plate Design & Single Mounting Plate Design**



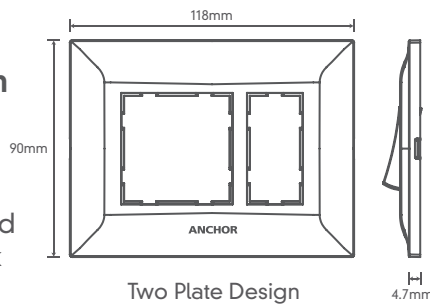
Two Plate Design



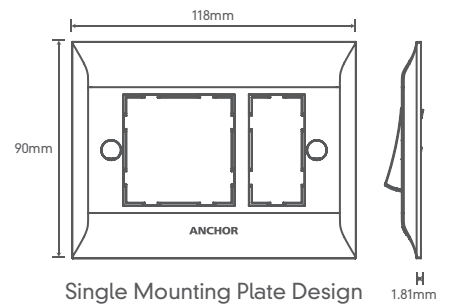
Single Mounting Plate Design

**Slim & Elegant Design**

- Great aesthetic
- Blends with the wall and gives a very sleek look



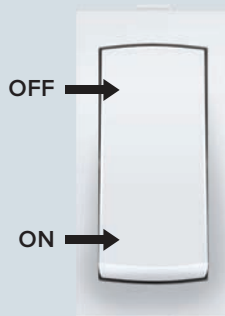
Two Plate Design



Single Mounting Plate Design

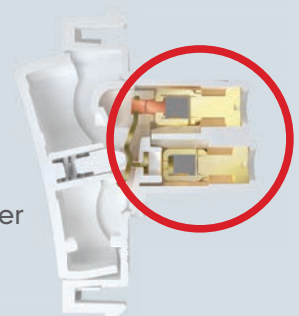
**1 Lac Operations**

- Long Operational Life
- No need to worry for years to come



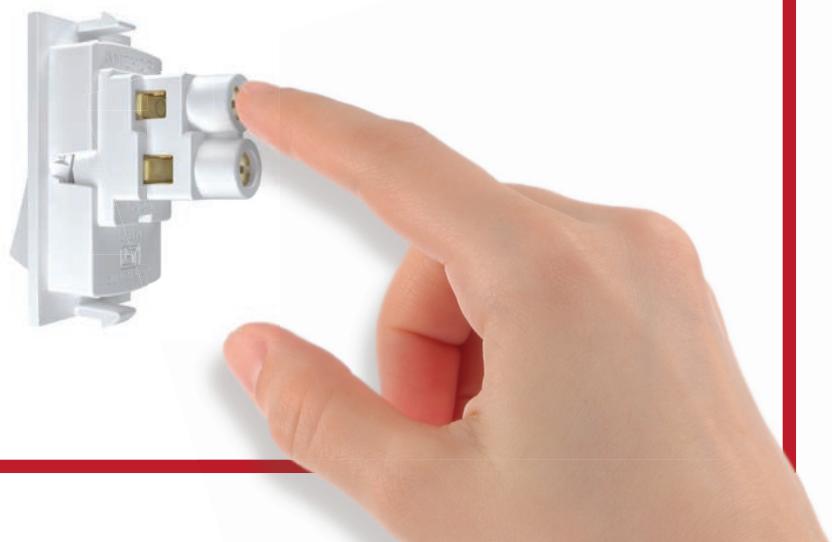
**Captive Screws**

- Screws do not fall away
- Avoid screw driver slippage



**IP20 Protection**

- No live part is exposed to fingers and can be accessible only through screw driver
- Protects against solid object larger than 12mm





68001  
68007

68002

68003

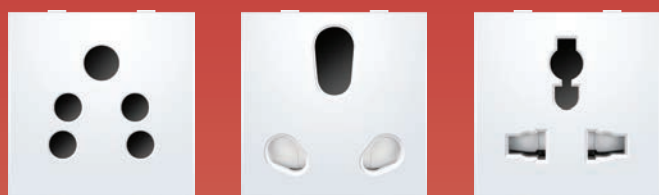
68077



68066

68025

68032



68202

68205

68206



68301

68302  
68322



68501

68502

68610

68620  
68622



68503

68505

68508

68509

## SWITCHES



Item	Description	HSN	MRP	PKG
68001	6A, 1Way Switch , 1M	8536	28	20
68002	6A, 2Way Switch , 1M	8536	53	20
68003	6A, Bell Push Switch ,1M	8536	56	20
68066	6A, Bell Push Switch with Indicator , 2M	8536	80	10
68007	16A, 1Way Switch, 1M	8536	66	10
68077	16A, 1Way Switch with Indicator, 1M	8536	73	10
68025	25A, SP 1Way Switch with Indicator, 1M	8536	92	10
68032	32A, DP 1Way Switch with Indicator, 2M	8536	161	10

## SOCKET

68202	6A, 2 in 1 Socket (w/o Shutter), 2M	8536	52	10
68205	6/16A, Twin Socket, 2M	8536	113	10
68206	6A/10A/13A, Combi Socket for all pins, 2M	8536	90	10

## FAN REGULATOR

68301	100W, 4 Step Fan regulator, 1M	8536	236	20
68302	100W, 5 Step Fan regulator, 2M	8536	273	10
68322	100W, 5 Step Fan regulator, 2M, ISI	8536	287	10

## COMMUNICATION AND DATA SOCKET

68501	Cord Outlet, 1M	8536	50	20
68502	TV Socket Outlet, 1M	8536	67	10
68610	RJ11, Tel Jack with Shutter, 1M	8536	81	10
68620	RJ45, Receptor, 1M	8536	99	20
68622	RJ45, Computer Jack, Cat6, 1M	8536	425	10

## SUPPORT FUNCTION

68503	Blank Plate, 1M	8536	14	50
68505	USB Charger, 1 Port, 2.1A, 5V DC, 1M	8536	750	10
68508	6A, Overload Protection - Manual Resettable Fuse, 1M	8536	102	20
68509	16A, Overload Protection - Manual Resettable Fuse, 1M	8536	123	20



68801

68802

68803

68804



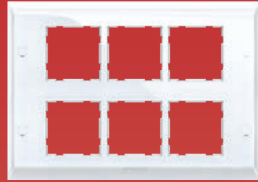
68806



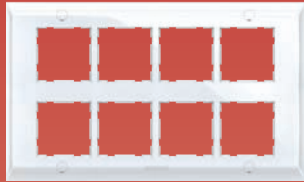
68808



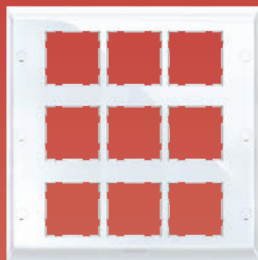
68888



68812



68816



68818



68901



68902



68903



68904



68906



68908



68988



68912



68916



68918

### SINGLE MOUNTING PLATE DESIGN

Item	Description	HSN	MRP	PKG
68801	1 Module, Single Mounting Plate	8536	38	20
68802	2 Module, Single Mounting Plate	8536	38	20
68803	3 Module, Single Mounting Plate	8536	46	20
68804	4 Module, Single Mounting Plate	8536	57	20
68806	6 Module, Single Mounting Plate	8536	77	10
68808	8 Module, Single Mounting Plate	8536	100	10
68888	8 Module Square, Single Mounting Plate	8536	100	5
68812	12 Module, Single Mounting Plate	8536	122	5
68816	16 Module, Single Mounting Plate	8536	141	5
68818	18 Module, Single Mounting Plate	8536	155	5

### TWO PLATE DESIGN

68901	1 Module, Cover Plate with Base Frame	8536	50	20
68902	2 Module, Cover Plate with Base Frame	8536	50	20
68903	3 Module, Cover Plate with Base Frame	8536	56	20
68904	4 Module, Cover Plate with Base Frame	8536	69	20
68906	6 Module, Cover Plate with Base Frame	8536	93	10
68908	8 Module, Cover Plate with Base Frame	8536	125	10
68988	8 Module Square, Cover Plate with Base Frame	8536	125	5
68912	12 Module, Cover Plate with Base Frame	8536	155	5
68916	16 Module, Cover Plate with Base Frame	8536	173	5
68918	18 Module, Cover Plate with Base Frame	8536	186	5



Ziva is a series of modular switches designed at an economic price range. It's slim and sleek design will raise the beauty of your home by leaps and bounds. They also have a long life span and can be placed both horizontally and vertically, according to your choice.





#### TERMS AND CONDITIONS

- 1) All prices are subject to the general terms and conditions of our business.
- 2) MRP is including all Taxes.
- 3) Prices are subject to change without prior notice.
- 4) This price list supersedes all our previous price lists.
- 5) If any dispute should arise it will be subject to Thane jurisdiction.
- 6) Company reserves the right to issue amendments which may arise due to any errors in the price list.

Due to continuous improvements in product design and development and manufacturing methods, the product may differ in some aspects from the details provided herein.

#### **Panasonic Life Solutions India Pvt. Ltd.,**

**For queries and communication:** 3rd Floor, B Wing, I-Think Techno Campus, Pokharan Road No. 2,

Thane (W) - 400 607, Maharashtra.

T: (9122) 42228888 | F: (9122) 42228884 | WhatsApp no.: 9136028606

Customer Care no.: 022-41304130 | Email: [info@in.panasonic.com](mailto:info@in.panasonic.com) | [www.lsin.panasonic.com](http://www.lsin.panasonic.com)

Dealers Stamp